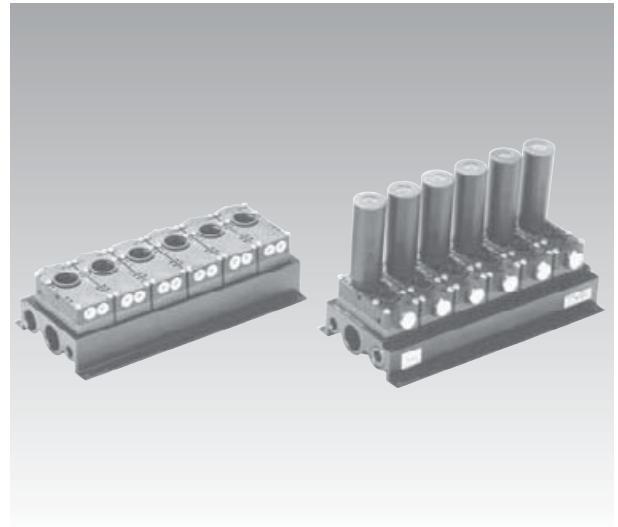


X – Midimultiple Pump

Max.vacuum level	: -93Kpa (-697.5mmHg)
Max.Flow rate	: 185NI/m X N stack
Supply air pressure	: 4-6bar, max. 7bar
Supply air type	: Dry compressed air
Working temperature	: -20°C to +80°C
Noise level	: 50 – 65dBA

Main advantages

The X-Midimultiple pump has the same external dimension to X-Midimultiple pump. It enables to achieve higher vacuum level. Each individual pump can be stacked up thus creating a modular manifold based system. The advantage of this pump is it has a bigger vacuum port as the application require large flow and high vacuum level. If occur any leakage or surface deformation of one vacuum pad, it does not effect the vacuum performance in the other pads. This pump can be stacked up from 2 stacks to 6 stacks. Also, can be specified with an air control solenoid valve and with Viton® or EPDM as seal options.



Order no.

VTX10 x 6 - B - A3 - D3 - V

① ② ③ ④ ⑤ ⑥

① Model – Capacity equivalent to electricity motor pump size

• VTX10	– 0,1KW
VTX20	– 0,2KW
VTX30	– 0,3KW

③ Vacuum port , Exhaust port

	Vacuum	Exhaust
• B	G 3/8"	Internal silencer
BA	G 3/8"	Internal silencer, connection plate-AL
NB	NPSF 3/8"	Internal silencer
NBA	NPSF 3/8"	Internal silencer, connection plate-AL
C	G 3/8"	External silencer
NC	NPSF 3/8"	External silencer

⑤ Control valve & Solenoid terminal

1	– Piston valve – DIN type without lead wire
2	– Piston valve – DIN type with lamp without lead wire
3*	– Piston valve – Connector type with 0,3m lead wire& lamp
D1	– Diaphragm valve – DIN type without lead wire
D2	– Diaphragm valve – DIN type with lamp without lead wire
D3*	– Diaphragm valve – Connector type with 0,3m lead wire& lamp

※ Remarks : VTX20 – over 5 stacks
VTX30 – over 3 stacks ※* Using Piston valve
* : Only for DC24V

② Vacuum stack

2	– 2 stack
3	– 3 stack
4	– 4 stack
5	– 5 stack
• 6	– 6 stack

④ Air supply control valve

A1	– AC110V
A2	– AC220V
• A3	– DC24V

⑥ Sealing

No mark	– Standard (NBR)
• V	– Viton®
E	– EPDM

Characteristics

Model	max. vacuum -kPa(-mmHg)	Max. vacuum flow (NI/m)	air consumption (NI/m)	noise level (dBA)	weight(g)		min hose inner Ø (within 2m)		
					B(NB,NC)	C	air supply	vacuum	exhaust
VTX10 x 2	93 (697.5)	62x2	86.4-96	50-60	380	393	>4	>8	3/8" x 2
VTX10 x 3		62x3	129.6-144	50-60	532	545	>6	>8	3/8" x 3
VTX10 x 4		62x4	172.8-192	55-60	695	708	>6	>8	3/8" x 4
VTX10 x 5		62x5	216-240	60-65	850	863	>6	>8	3/8" x 5
VTX10 x 6		62x6	259.2-288	60-65	998	1011	>8	>8	3/8" x 6
VTX20 x 2		93 (697.5)	124x2	172.8-192	50-60	399	412	>6	>10
VTX20 x 3	124x3		259.2-288	55-60	560	573	>6	>10	3/8" x 3
VTX20 x 4	124x4		345.6-384	60-65	735	748	>8	>10	3/8" x 4
VTX20 x 5	124x5		432-480	60-65	899	912	>10	>10	3/8" x 5
VTX20 x 6	124x6		518.4-576	60-65	1058	1071	>10	>10	3/8" x 6
VTX30 x 2	93 (697.5)		185x2	259.2-288	55-60	421	434	>6	>12
VTX30 x 3		185x3	388.8-432	60-65	587	600	>8	>12	3/8" x 3
VTX30 x 4		185x4	518.4-576	60-65	775	788	>10	>12	3/8" x 4
VTX30 x 5		185x5	648-720	60-65	947	960	>10	>12	3/8" x 5
VTX30 x 6		185x6	777.6-864	60-65	1116	1129	>10	>12	3/8" x 6

* Remarks : BA(NBA) type weight = B type weight+(26g×stack)

Induce air in liters per minute (NI/m)

Model \ -mmHg -kPa	0	75	150	225	300	375	450	525	600	675
	0	10	20	30	40	50	60	70	80	90
VTX10x1Stack	62	36	18	16	14	11	9	6	2.4	0.9
VTX20x1Stack	124	72	35	32	27	22	18	12	4.8	1.8
VTX30x1Stack	185	108	52	47	41	33	26	18	7.2	2.7

Time in seconds to evacuate to vacuum level (sec/l)

Model \ -mmHg -kPa	75	150	225	300	375	450	525	600	675
	10	20	30	40	50	60	70	80	90
VTX10x1Stack	0.129	0.398	0.758	1.2	1.78	2.455	3.445	5.08	9.594
VTX20x1Stack	0.064	0.199	0.379	0.6	0.89	1.227	1.722	2.54	4.797
VTX30x1Stack	0.048	0.149	0.284	0.44	0.673	0.917	1.287	1.906	3.595

VACUUM PUMP

Dimensional Information

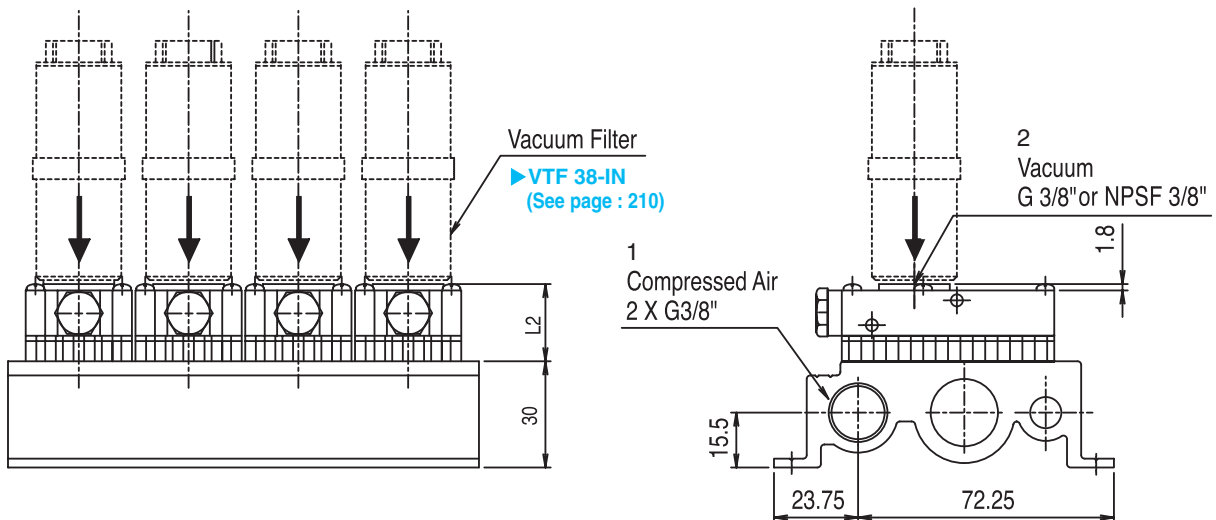
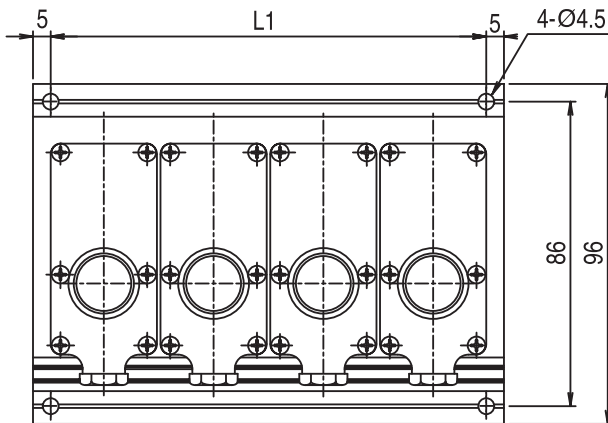
VTX 10 x (2~6)-B

20

30

(mm)

Model	L1	L2
VTX10x2-B	61	21.8
VTX10x3-B	92	21.8
VTX10x4-B	123	21.8
VTX10x5-B	154	21.8
VTX10x6-B	185	21.8
VTX20x2-B	61	29
VTX20x3-B	92	29
VTX20x4-B	123	29
VTX20x5-B	154	29
VTX20x6-B	185	29
VTX30x2-B	61	36.2
VTX30x3-B	92	36.2
VTX30x4-B	123	36.2
VTX30x5-B	154	36.2
VTX30x6-B	185	36.2

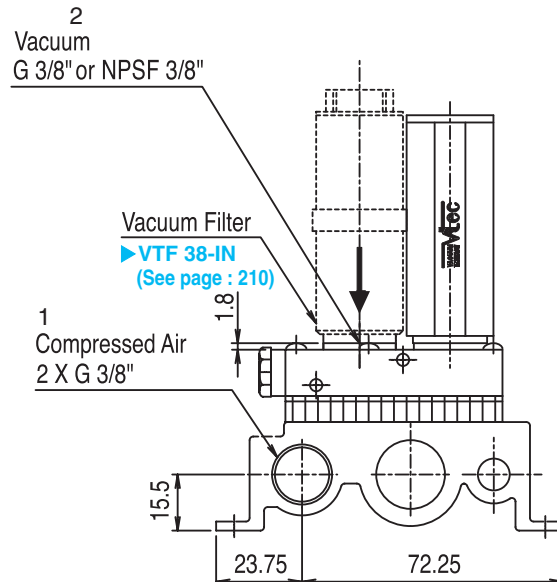
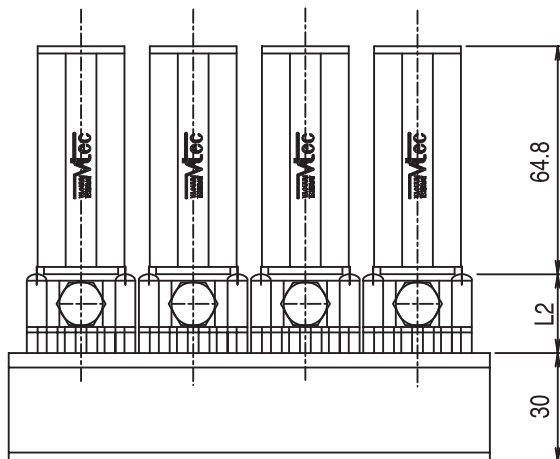
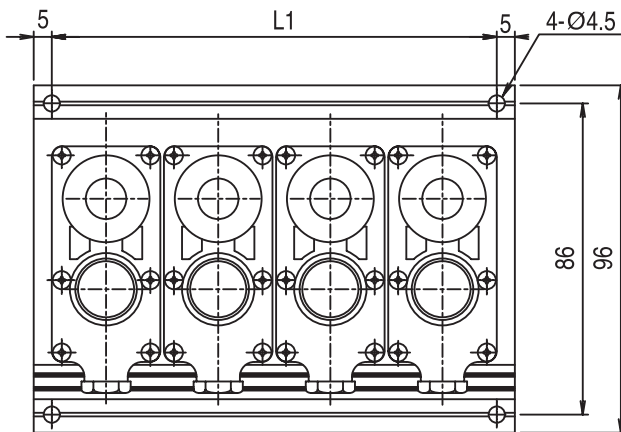


Dimensional Information

VTX 10 x (2~6)-C

20

30



(mm)		
Model	L1	L2
VTX10x2-C	61	21.8
VTX10x3-C	92	21.8
VTX10x4-C	123	21.8
VTX10x5-C	154	21.8
VTX10x6-C	185	21.8
VTX20x2-C	61	29
VTX20x3-C	92	29
VTX20x4-C	123	29
VTX20x5-C	154	29
VTX20x6-C	185	29
VTX30x2-C	61	36.2
VTX30x3-C	92	36.2
VTX30x4-C	123	36.2
VTX30x5-C	154	36.2
VTX30x6-C	185	36.2

VACUUM PUMP